



ATTENTION
OBSERVE PRECAUTIONS
FOR HANDLING
ELECTROSTATIC
DISCHARGE
SENSITIVE
DEVICES

arlight[®]

ARL-5060UWC3 White (H343)

FEATURES

- PLCC-6 Package.
- Extremely wide viewing angle.
- Suitable for all SMT assembly and solder process.
- Available on tape and reel.
- Moisture sensitivity level: Level 4.
- Package: 1000pcs/reel.
- RoHS compliant.

DESCRIPTION

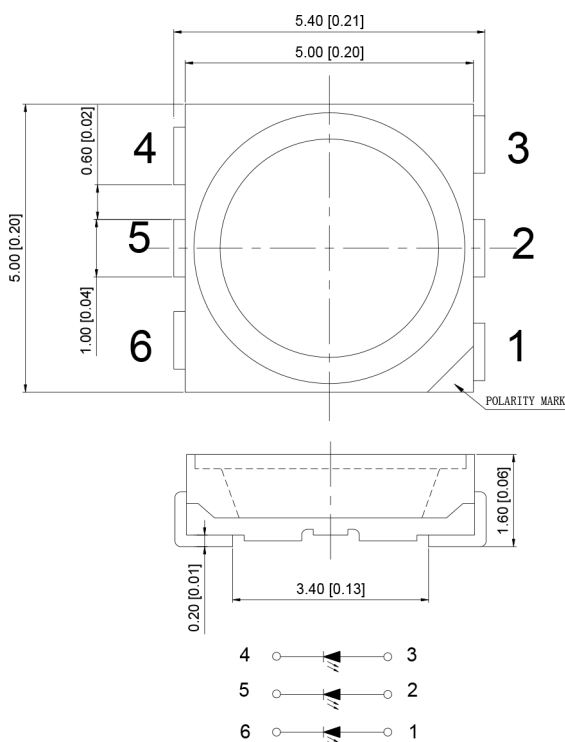
- The White LED which was fabricated using a blue chip and the phosphor.



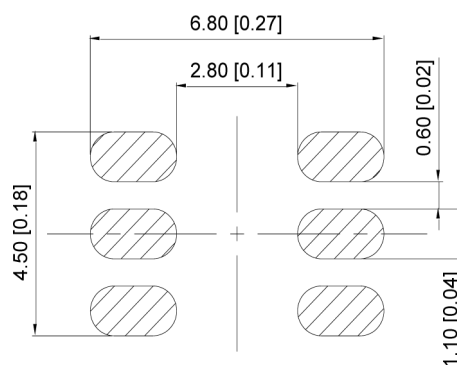
APPLICATIONS

- Optical indicator.
- Indoor display.
- Automotive lighting.
- Backlight for LCD, switch and Symbol display.
- Tubular light application.
- General use.

PACKAGE DIMENSIONS



RECOMMENDED SOLDERING



Notes:

1. All dimension units are millimeters.
2. All dimension tolerance is $\pm 0.15\text{mm}$ unless otherwise noted.

SELECTION GUIDE

Part No.	Dice	Lens Type	Luminous intensity (mcd) @ 20mA*3		Luminous flux (lm) @ 20mA*3		Viewing Angle
			Min.	Typ.	Min.	Typ.	2 θ 1/2
ARL-5060UWC3 White (H343)	WHITE (InGaN)	Yellow Diffused	5500	6000	18	20	120°

Note:

1. θ 1/2 is the angle from optical centerline where the luminous intensity is 1/2 the optical centerline value.
2. The above luminous intensity measurement allowance tolerance $\pm 10\%$.

ELECTRICAL / OPTICAL CHARACTERISTICS at TA=25°C

Parameter	Symbol	Min	Typ.	Max.	Units	Test Conditions
Forward Voltage	V_F	2.8	--	3.4	V	IF=20mA*3
Reverse Current	I_R	--	--	10	μA	VR=5V
Color Coordinates	X	--	0.31	--	--	IF=20mA*3
	Y	--	0.32	--	--	IF=20mA*3
Color Temperature	Tc	--	6500	--	K	IF=20mA*3
Color Rendering Index	CRI	65	--	--	Ra	IF=20mA*3

ABSOLUTE MAXIMUM RATING (T_a=25°C)

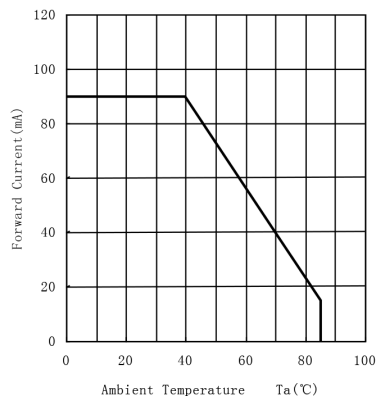
Parameter	Symbol	Rating	Units
Power Dissipation	P_D	315	mW
DC Forward Current per chip	I_F	90	mA
Peak Forward Current	I_{Fp}	300	mA
Reverse Voltage	V_R	5	V
Electrostatic Discharge (HBM)	ESD	1000	V
Operating Temperature	Topr	-40 ~ +85	°C
Storage Temperature	Tstg	-40 ~ +100	°C

Notes:

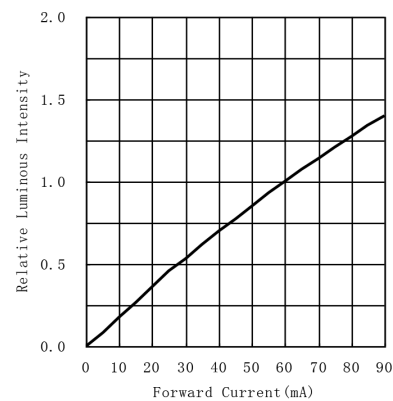
- 1/10 Duty Cycle, 0.1ms Pulse Width.
2. The above forward voltage measurement allowance tolerance $\pm 0.1V$
3. The above color coordinates measurement allowance tolerance ± 0.003

TYPICAL OPTICAL CHARACTERISTICS CURVES

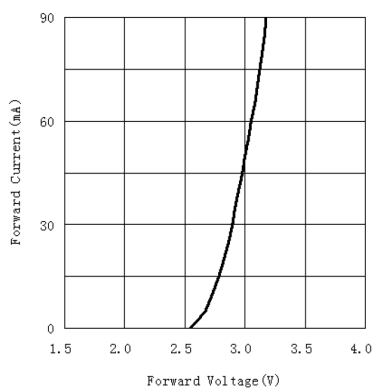
Ambient Temperature vs. Forward Current



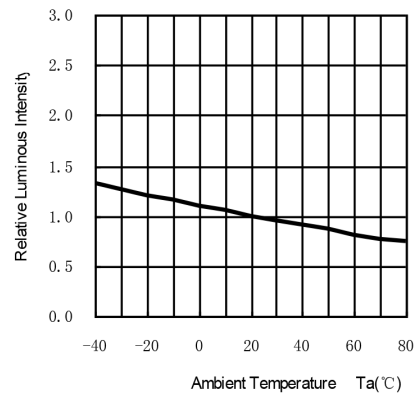
Forward Current VS. Relative Intensity



Forward Voltage VS. Forward Current

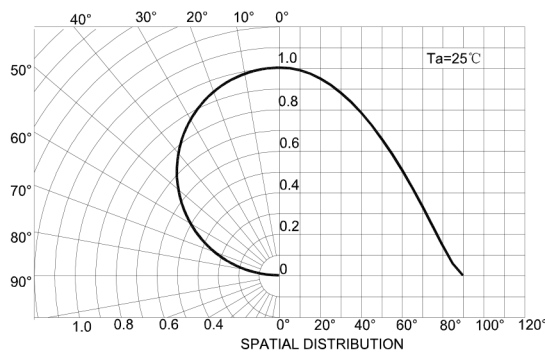
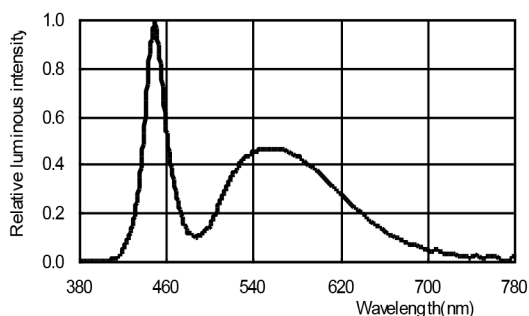


Ambient Temperature VS. Relative Intensity

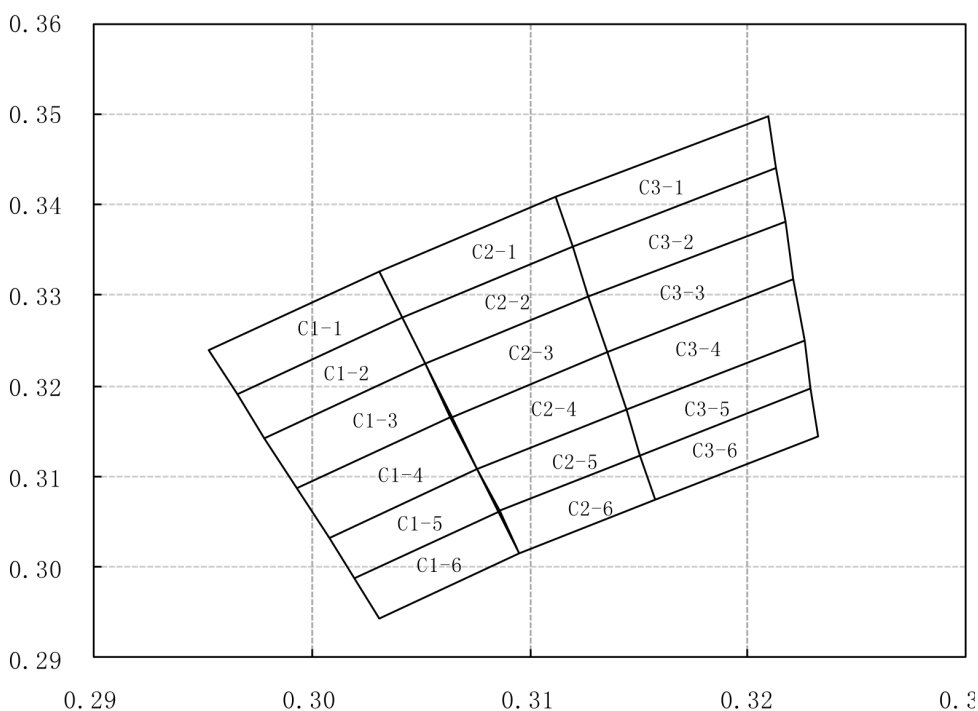


Relative spectral emission

Radiation diagram



CIE CHROMATICITY DIAGRAM



C1-1 7000-7500K				C1-2 7000-7500K				C1-3 7000-7500K						
X	0.2953	0.3031	0.3042	0.2966	X	0.2966	0.3042	0.3052	0.2978	X	0.2978	0.3052	0.3064	0.2993
Y	0.3240	0.3327	0.3276	0.3192	Y	0.3192	0.3276	0.3224	0.3143	Y	0.3143	0.3224	0.3166	0.3088
C1-4 7000-7500K				C1-5 7000-7500K				C1-6 7000-7500K						
X	0.2993	0.3064	0.3076	0.3008	X	0.3008	0.3076	0.3086	0.3020	X	0.3020	0.3086	0.3095	0.3031
Y	0.3088	0.3166	0.3108	0.3033	Y	0.3033	0.3108	0.3062	0.2989	Y	0.2989	0.3062	0.3015	0.2944
C2-1 6500-7000K				C2-2 6500-7000K				C2-3 6500-7000K						
X	0.3031	0.3112	0.3120	0.3042	X	0.3042	0.3120	0.3127	0.3052	X	0.3052	0.3127	0.3136	0.3064
Y	0.3327	0.3408	0.3354	0.3276	Y	0.3276	0.3354	0.3299	0.3224	Y	0.3224	0.3299	0.3237	0.3166
C2-4 6500-7000K				C2-5 6500-7000K				C2-6 6500-7000K						
X	0.3064	0.3136	0.3144	0.3076	X	0.3076	0.3144	0.3151	0.3086	X	0.3086	0.3151	0.3157	0.3095
Y	0.3166	0.3237	0.3174	0.3108	Y	0.3108	0.3174	0.3124	0.3062	Y	0.3062	0.3124	0.3074	0.3015
C3-1 6000-6500K				C3-2 6000-6500K				C3-3 6000-6500K						
X	0.3112	0.3209	0.3213	0.3120	X	0.3120	0.3213	0.3217	0.3127	X	0.3127	0.3217	0.3221	0.3136
Y	0.3408	0.3498	0.3440	0.3354	Y	0.3354	0.3440	0.3382	0.3299	Y	0.3299	0.3382	0.3317	0.3237
C3-4 6000-6500K				C3-5 6000-6500K				C3-6 6000-6500K						
X	0.3136	0.3221	0.3226	0.3144	X	0.3144	0.3226	0.3229	0.3151	X	0.3151	0.3229	0.3232	0.3157
Y	0.3237	0.3317	0.3251	0.3174	Y	0.3174	0.3251	0.3198	0.3124	Y	0.3124	0.3198	0.3145	0.3074

RELIABILITY TEST ITEMS AND CONDITIONS

No.	Items	Ref.Standard	Test Condition	Test Hours/ Cycles	Sample Size	Ac/Rc
1	Reflow	JESD22-B106	Temp:260°C Min.10 sec.	3 times.	22Pcs.	0/1
2	Temperature Cycle	JESD22-A104	100°C ±5°C 30 min. ↑↓5 min -40°C ±5°C 30 min.	100 Cycles	22Pcs.	0/1
4	High Temperature Storage	JESD22-A103	Temp.:100°C ±5°C	1000Hrs.	22Pcs.	0/1
5	Low Temperature Storage	JESD22-A119	Temp.: -40°C ±5°C	1000Hrs.	22Pcs.	0/1
6	DC Operating Life	JESD22-A108	Ta.:25°C ±5°C IF=60mA	1000Hrs.	22Pcs.	0/1
7	High Temperature/ High Humidity	JESD22-A101	85°C±5°C/ 85%RH IF=15mA	1000Hrs.	22Pcs.	0/1

RELIABILITY TEST ITEMS AND CONDITIONS

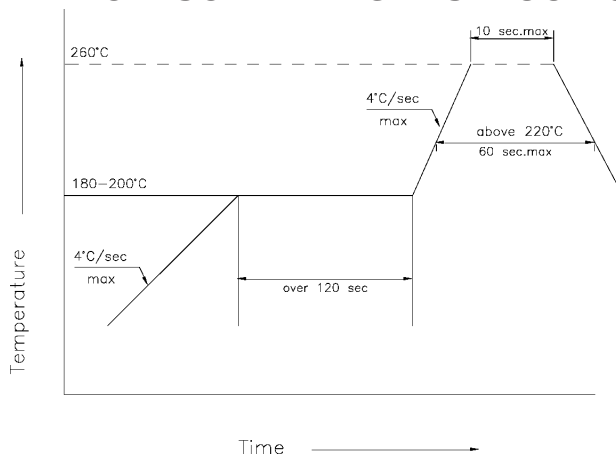
Test Items	Symbol	Test Condition	Criteria For Judgement	
			Min.	Max.
Forward Voltage	VF	IF=60mA	---	U.S.L*)x1.1
Reverse Current	IR	VR = 5V	---	U.S.L*)x2.0
Luminous Flux	Im	IF=60mA	L.S.L*)x0.7	---

U.S.L: Upper standard level

L.S.L: Lower standard level

* The technical information shown in the data sheets are limited to the typical characteristics and circuit examples of the referenced products. It does not constitute the warranting of industrial property nor the granting of any license.

SMT REFLOW SOLDERING INSTRUCTIONS



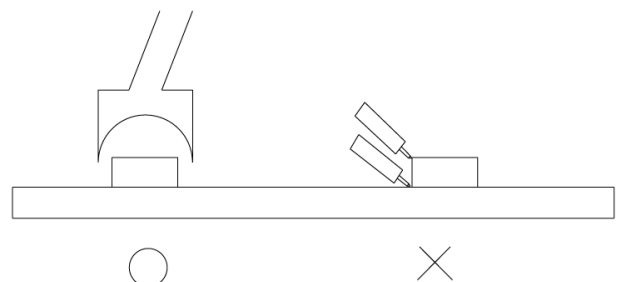
1. Reflow soldering should not be done more than two times.
2. When soldering, do not put stress on the LEDs during heating.

SOLDERING IRON

1. When hand soldering, the temperature of the iron must less than 300°C for 3 seconds
2. The hand solder should be done only one times

REPAIRING

Repair should not be done after the LEDs have been soldered. When repairing is unavoidable, a double-head soldering iron should be used (as below figure). It should be confirmed beforehand whether the characteristics of LEDs will or will not be damaged by repairing.



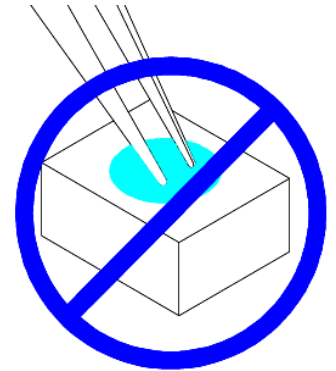
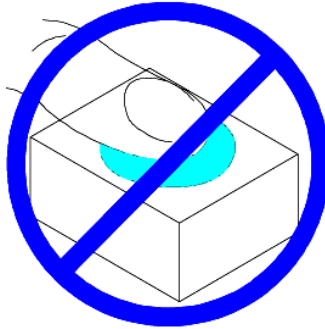
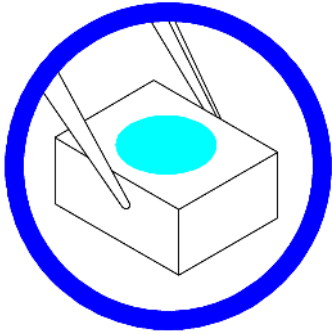
CAUTIONS

The encapsulated material of the LEDs is silicone. Therefore the LEDs have a soft surface on the top of package. The pressure to the top surface will be influence to the reliability of the LEDs. Precautions should be taken to avoid the strong pressure on the encapsulated part. So when use the picking up nozzle, the pressure on the silicone resin should be proper.

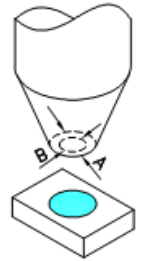
HANDLING PRECAUTIONS

Compare to epoxy encapsulant that is hard and brittle, silicone is softer and flexible. Although its characteristic significantly reduces thermal stress, it is more susceptible to damage by external mechanical force. As a result, Special handling precautions need to be observed during assemble using silicone encapsulated LED products, Failure to comply might leads to damage and premature failure of the LED.

1. Handle the component along the side surface by using forceps or appropriate tools; do not directly touch or Handle the silicone lens surface, it may damage the internal circuitry.

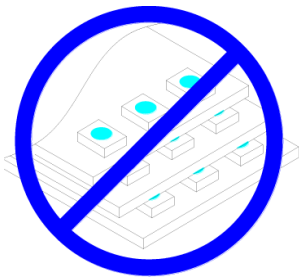


2. The outer diameter of the SMD pickup nozzle should not exceed the size of the LED to prevent air leaks. The inner diameter of the nozzle should be as large as possible. A pliable material is suggested for the nozzle tip to avoid scratching or damaging the LED surface during pickup. The dimensions of the component must be accurately programmed in the pick-and-place machine to insure precise pickup and avoid damage during production.



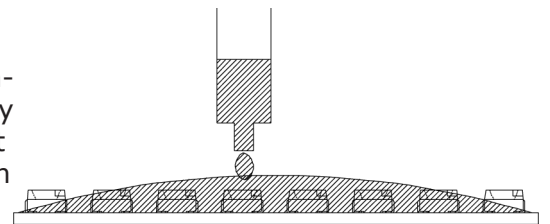
3. Do not stack together assembled PCBs containing LEDs. Impact may scratch the silicone lens or damage the internal circuitry

4. Not available in the situation of acidity for PH



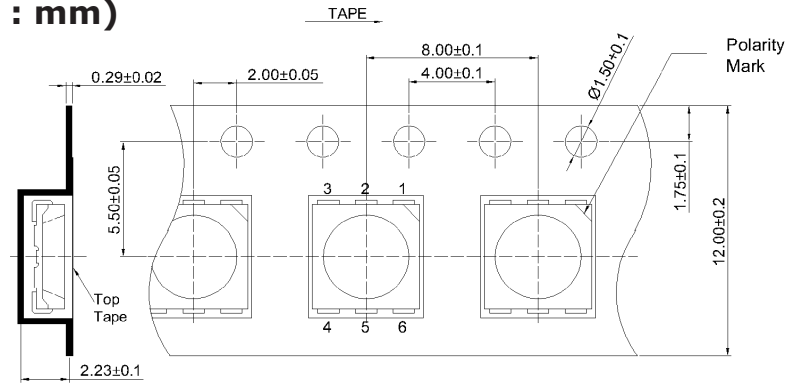
5. LED operating environment and sulfur element composition cannot be over 100PPM in the LED mating.

6. When we need to use external glue for LED application products, please make sure that the external glue matches the LED packaging glue. Additionally, as most of LED packaging glue is silica gel, and it has strong Oxygen permeability as well as strong moisture permeability; in order to prevent external material from getting into the inside of LED, which may cause the malfunction of LED, the single content of Bromine element is required to be less than 900PPM, the single content of Chlorine element is required to be less than 900PPM, the total content of Bromine element and Chlorine element in the external glue of the application products is required to be less than 1500PPM.

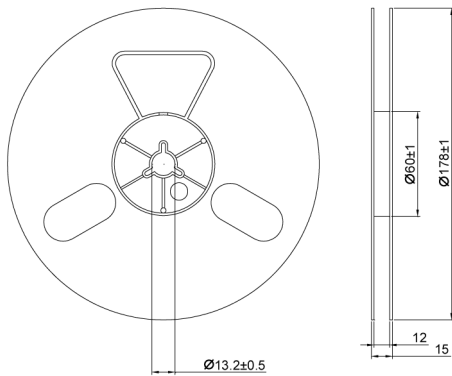


7. Other points for attention, please refer to our LED user manual.

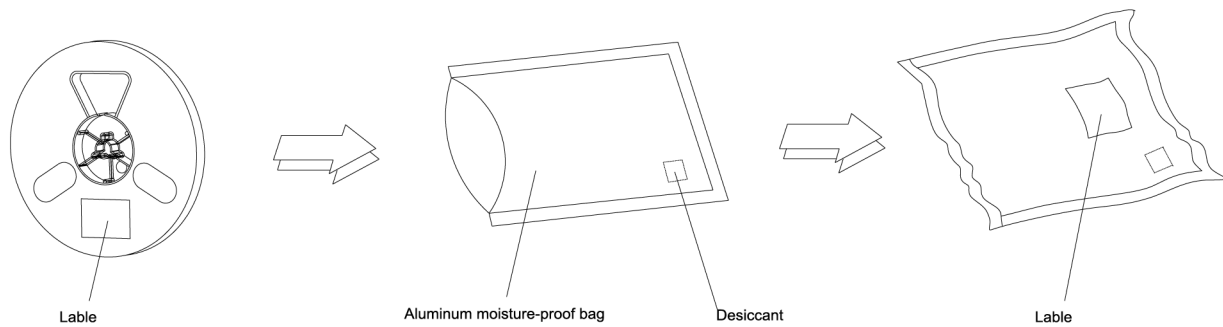
TAPE SPECIFICATIONS (Units : mm)



REEL DIMENSIONS



MOISTURE RESISTANT PACKAGING



Note: The tolerances unless mentioned is ± 0.1 mm , Unit: mm